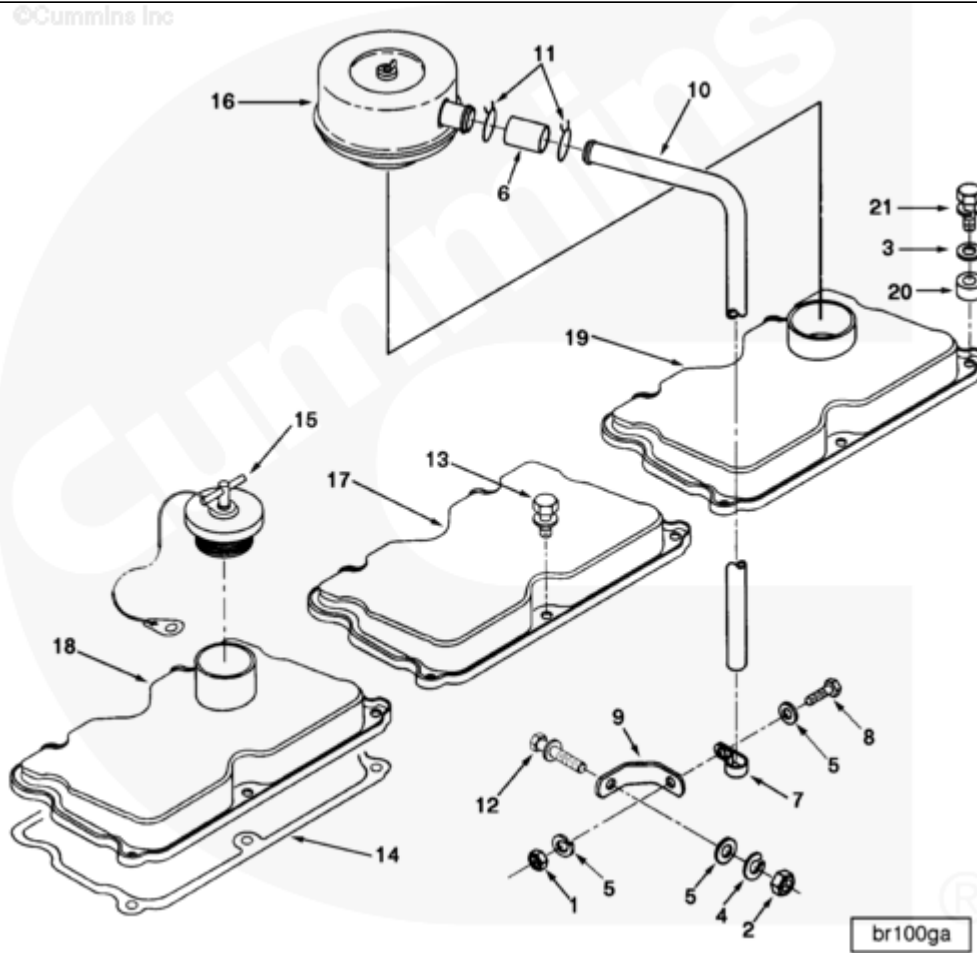




Parts Catalog - Option Detail

Electronic Parts Catalog - Option Detail				
Option	Group	Graphic	Film Card	Date
BR1071	03.02	br100ga	F	15-AUG-95
Engines	NH/NT 855, NT495, NT743, NTA855 N106			



[SMALL](#) | [MEDIUM](#) | [LARGE](#)

Cart	Ref No	Part Number	Part Description	Required	Remarks
<input type="button" value="View My Cart"/>					
		BR1071	Breather And Valve Cover		
					Breather And Valve Cover
					Engine valve covers with both
					breather and filler. Breather

					with vent hose located over
					number six cylinder at rear
					of engine. Filler located
					over number two cylinder. For
					naturally aspirated engines
					only. For Brazil, use MP22182
					in place of MP3887 and 255180
					in place of 257014.
<input type="checkbox"/>	1	S 221	Heavy Hexagon Nut	1	5/16 - 18 UNC
<input type="checkbox"/>	2	S 223	Heavy Hexagon Nut	1	3/8 - 16 UNC
<input type="checkbox"/>	3	S 602	Plain Washer	1	3/8 in.
<input type="checkbox"/>	4	S 604	Lock Washer	1	3/8 in.
<input type="checkbox"/>	5	S 605	Lock Washer	1	5/16 in.
<input type="checkbox"/>	6	64775	Plain Hose	1	
<input type="checkbox"/>	7	3082570	Clip	1	
<input type="checkbox"/>	8	S 109	Hexagon Head Cap Screw	2	3/8 - 16 x 7/8 in.
<input type="checkbox"/>	9	111670	Tube Brace	1	
<input type="checkbox"/>	10	142486	Breather Tube	1	
<input type="checkbox"/>	11	3008596	Spring Hose Clamp	2	
<input type="checkbox"/>	13	3038076	Captive Washer Cap Screw	14	3/8 - 16 X 15/16 in.
<input type="checkbox"/>	14	3067459	Rocker Lever Cover Gasket	3	
<input type="checkbox"/>	15	107981	Filler Cap	1	
<input type="checkbox"/>	16	257014	Crankcase Breather	1	
<input type="checkbox"/>	17	3006183	Rocker Lever Cover	1	
<input type="checkbox"/>	18	3006349	Rocker Lever Cover	1	
<input type="checkbox"/>	19	3006358	Rocker Lever Cover	1	
<input type="checkbox"/>		3012297	Rocker Lever Cover	1	
		3046716	Oil Baffle	1	
<input type="checkbox"/>	20	63385	Mounting Spacer	1	

<input type="checkbox"/>	21	3035624	Captive Washer Cap Screw	1	3/8 - 16 X 1 1/2 in.
--------------------------	----	-------------------------	--------------------------	---	----------------------

© 2019 Cummins Inc., Box 3005, Columbus, IN 47202-3005 U.S.A.
Terms of Use and Disclaimers | Recommended System Requirements
Need Assistance? Please click on the Contact Us button in the top right corner of any page.